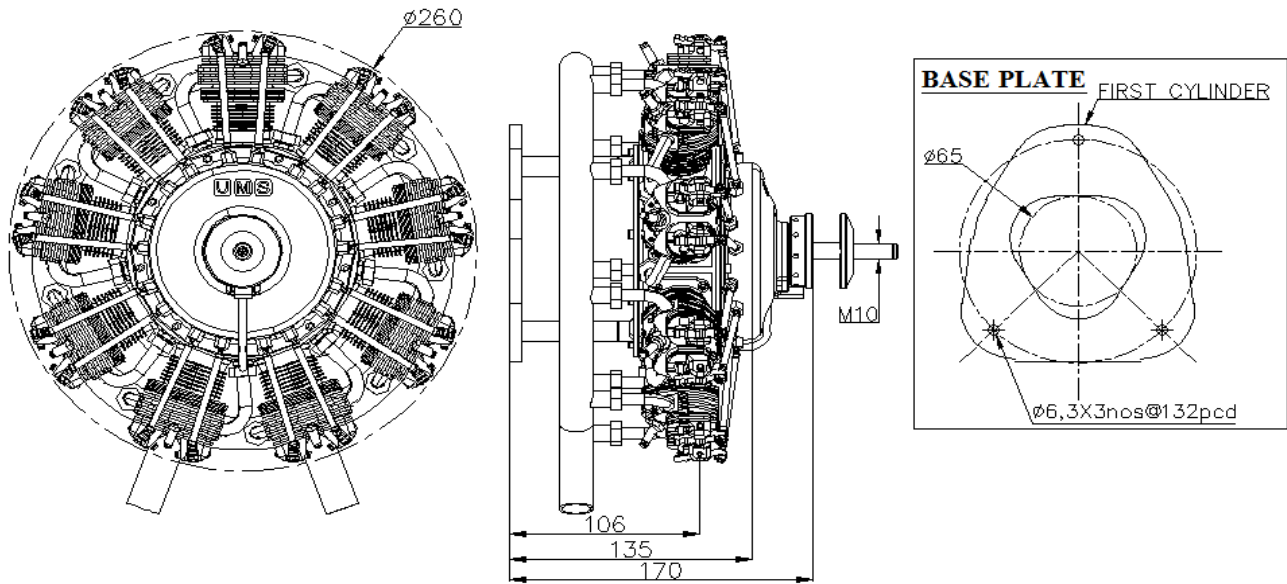


UMS 9-115CC RADIAL ENGINE SPECIFICATION



9-115CC SPECIFICATION

TYPE	SPARK IGNITION
CYLINDER	9 (ABC TYPE)
CAPACITY	115CC
BORE	25.1MM
STROKE	26MM
THRUST (Approx.)	12.5kgf @ 24X10 MENZ PROP.
RPM RANGE	1000-6000
WEIGHT	3.5kg incl.(silencer)
ENGINE DIAMETER	260MM
ENGINE LENGTH	170MM
PROPELLER (MENZ TWO BLADE WOOD)	24X8, 24X10, 24X12
MUFFLER TYPE	COLLECTOR RING
PLUG TYPE	1/4-32 RcExl
CARBURETOR	WALBRO WT-621