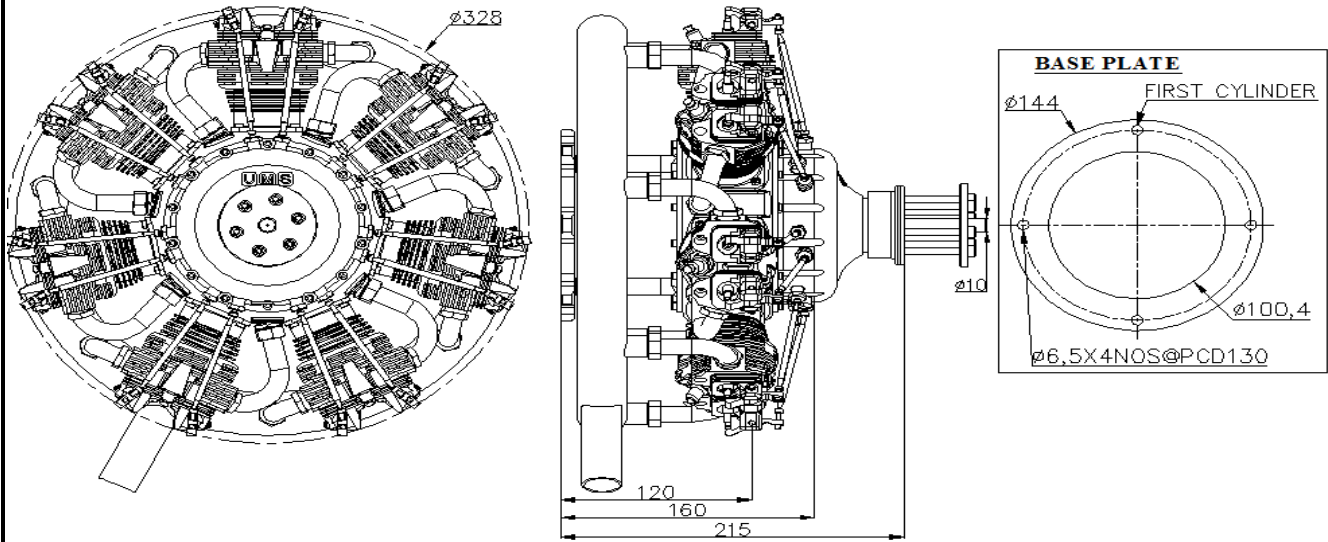


# UMS 7-260CC RADIAL ENGINE SPECIFICATION



## 7-260CC SPECIFICATION

TYPE	SPARK IGNITION
CYLINDER	7 (ABC TYPE)
CAPACITY	260CC
BORE	35.7MM
STROKE	37MM
THRUST (Approx.)	25.4kgf @ 32X12 MENZ PROP.
RPM RANGE	1000-5500
WEIGHT	6.2kg incl.(silencer )
ENGINE DIAMETER	328MM
ENGINE LENGTH	215MM
PROPELLER (MENZ TWO BLADE WOOD)	32X12,32X14,32X18
MUFFLER TYPE	COLLECTOR RING
PLUG TYPE	CM-6 RcEx1
CARBURETOR	WALBRO WT-621