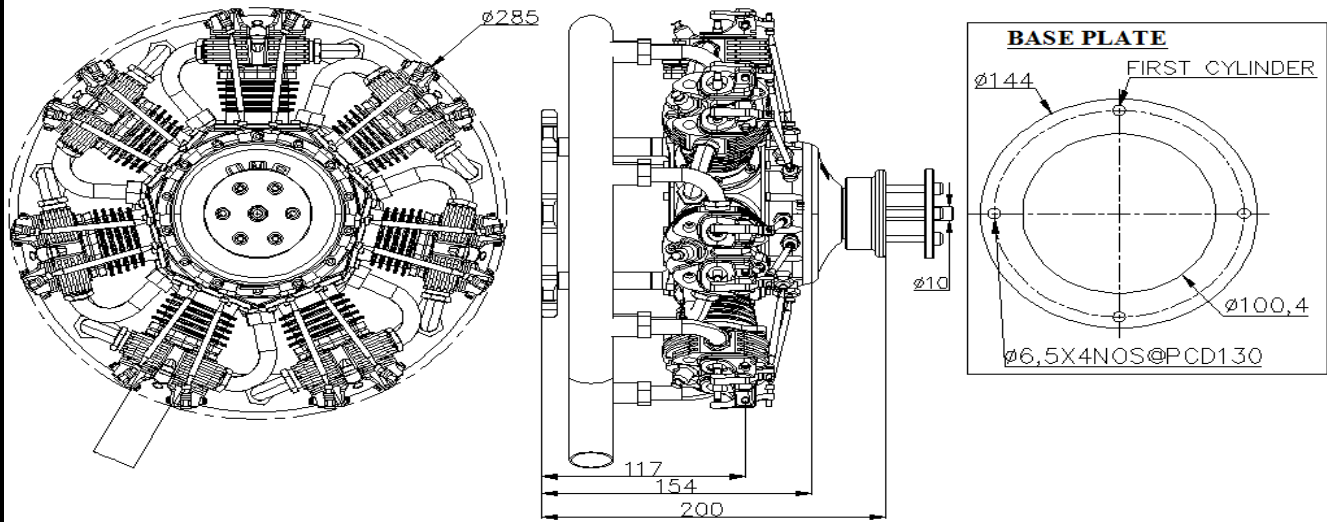


## UMS 7-160CC RADIAL ENGINE SPECIFICATION



### 7-160CC SPECIFICATION

TYPE	SPARK IGNITION
CYLINDER	7 (ABC TYPE)
CAPACITY	160CC
BORE	30.2MM
STROKE	32MM
THRUST (Approx.)	16.5kgf @ 28X8 MENZ PROP.
RPM RANGE	1100-6000
WEIGHT	4.3kg incl.(silencer )
ENGINE DIAMETER	285MM
ENGINE LENGTH	200MM
PROPELLER (MENZ TWO BLADE WOOD)	27X10, 28X8, 28X12
MUFFLER TYPE	COLLECTOR RING
PLUG TYPE	CM-6 RcExl
CARBURETOR	WALBRO WT-621