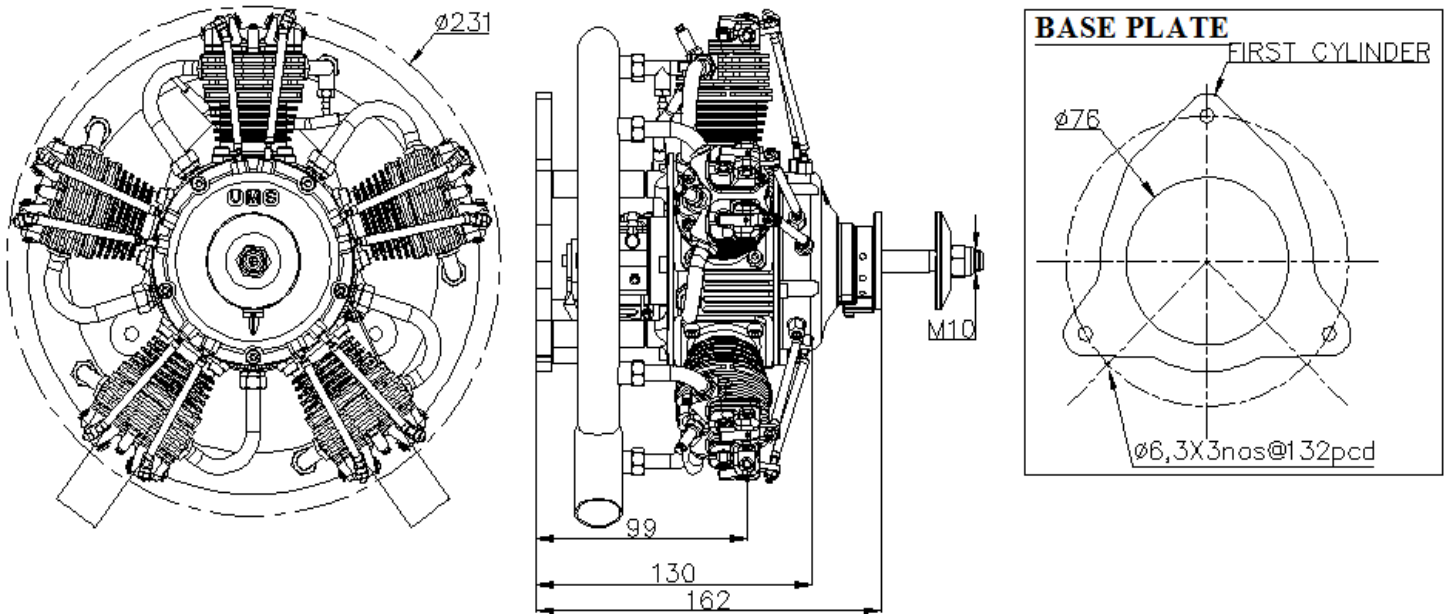


# UMS 5-75CC RADIAL ENGINE SPECIFICATION



## 5-75CC SPECIFICATION

TYPE	SPARK IGNITION
CYLINDER	5 (ABC TYPE)
CAPACITY	75CC
BORE	26.5MM
STROKE	27.5MM
THRUST (Approx.)	*9kgf @ 24x10 Menz prop.
RPM RANGE	1000-6000
WEIGHT	2.65kg incl.(silencer )
ENGINE DIAMETER	231MM
ENGINE LENGTH	162MM
PROPELLER (MENZ TWO BLADE WOOD)	24X8, 24X10
MUFFLER TYPE	COLLECTOR RING
PLUG TYPE	1/4-32 RcEx1
CARBURETOR	WALBRO WT-621

\* Estimated value to be measured