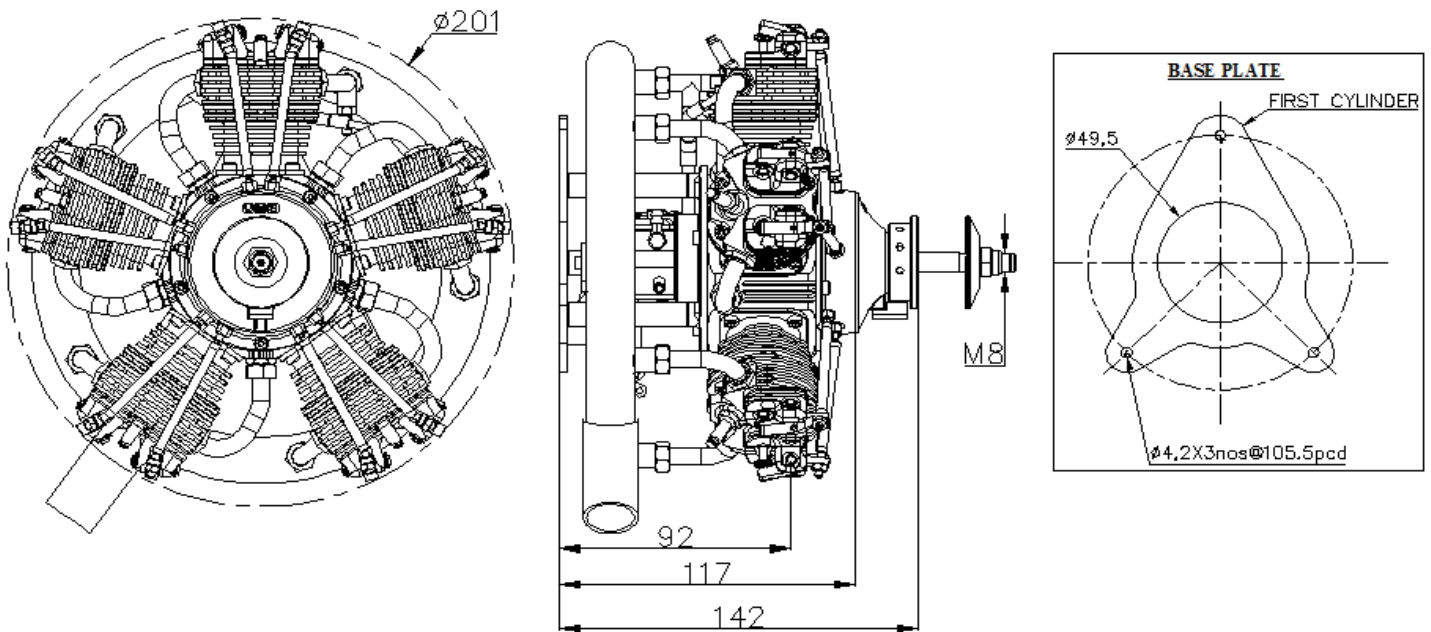


UMS 5-55CC RADIAL ENGINE SPECIFICATION



5-55CC SPECIFICATION

TYPE	SPARK IGNITION
CYLINDER	5 (ABC TYPE)
CAPACITY	55CC
BORE	23.7MM
STROKE	25MM
THRUST (Approx.)	7.5 kgf @ 22x8 Menz prop.
RPM RANGE	1000-6000
WEIGHT	1.8kg incl.(silencer)
ENGINE DIAMETER	201MM
ENGINE LENGTH	142MM
PROPELLER (MENZ TWO BLADE WOOD)	22X8, 22X10
MUFFLER TYPE	COLLECTOR RING
PLUG TYPE	1/4-32 RcExl
CARBURETOR	UMS