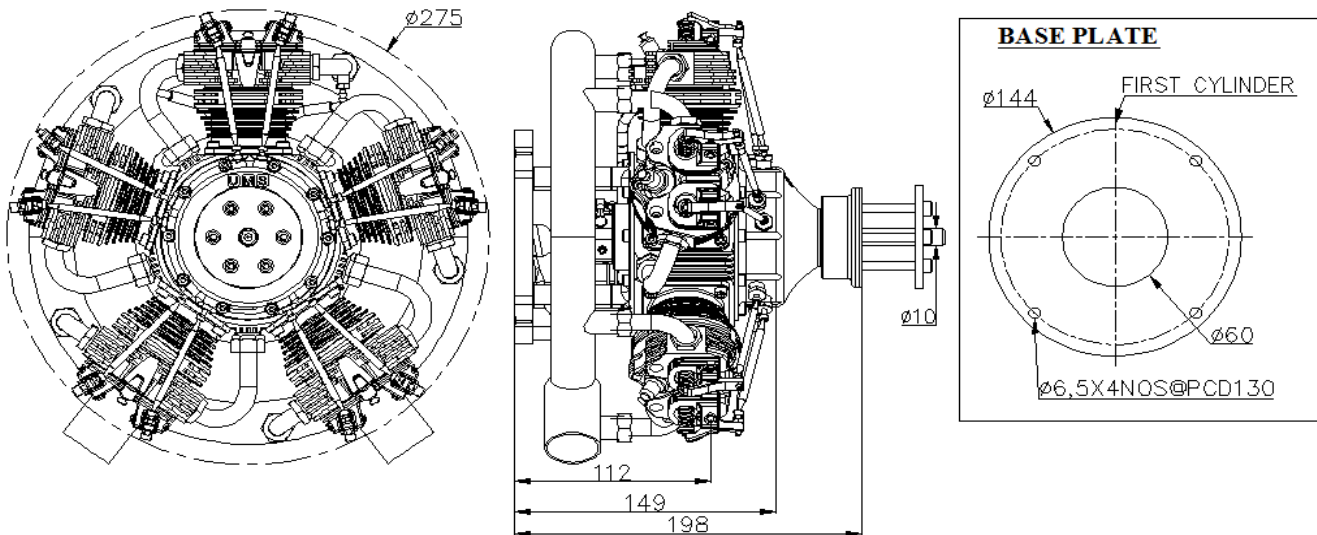


UMS 5-180CC RADIAL ENGINE SPECIFICATION



5-180CC SPECIFICATION

TYPE	SPARK IGNITION
CYLINDER	5 (ABC TYPE)
CAPACITY	180CC
BORE	35.7MM
STROKE	37MM
THRUST (Approx.)	19kgf @ 28x10 Menz prop.
RPM RANGE	1000-5500
WEIGHT	4.7kg incl.(silencer)
ENGINE DIAMETER	275MM
ENGINE LENGTH	198MM
PROPELLER (MENZ TWO BLADE WOOD)	28X10, 28X12
MUFFLER TYPE	COLLECTOR RING
PLUG TYPE	CM-6 RcExl
CARBURETOR	WALBRO WT-621